

DO NOT REMOVE

FORM MS-7086-10/84  
REPLACES FORM MS-7086-2/84  
FILE IN SECT. 2 OF SERVICE MANUAL

**195400 to 195499**

SAMPLE

# Illustrated Parts List

## Industrial/Commercial

### Model Series

# 195400 to 195499

TYPE NUMBERS  
0110 through 0114  
and 0120  
0130 through 0316  
2024, 2025  
2034 through 2037  
and 2041  
2047 through 2049  
and 2070

#### TO FIND

**THE CORRECT NUMBER OF THE PART YOU NEED:**

#### FOLLOW THE INSTRUCTIONS BELOW

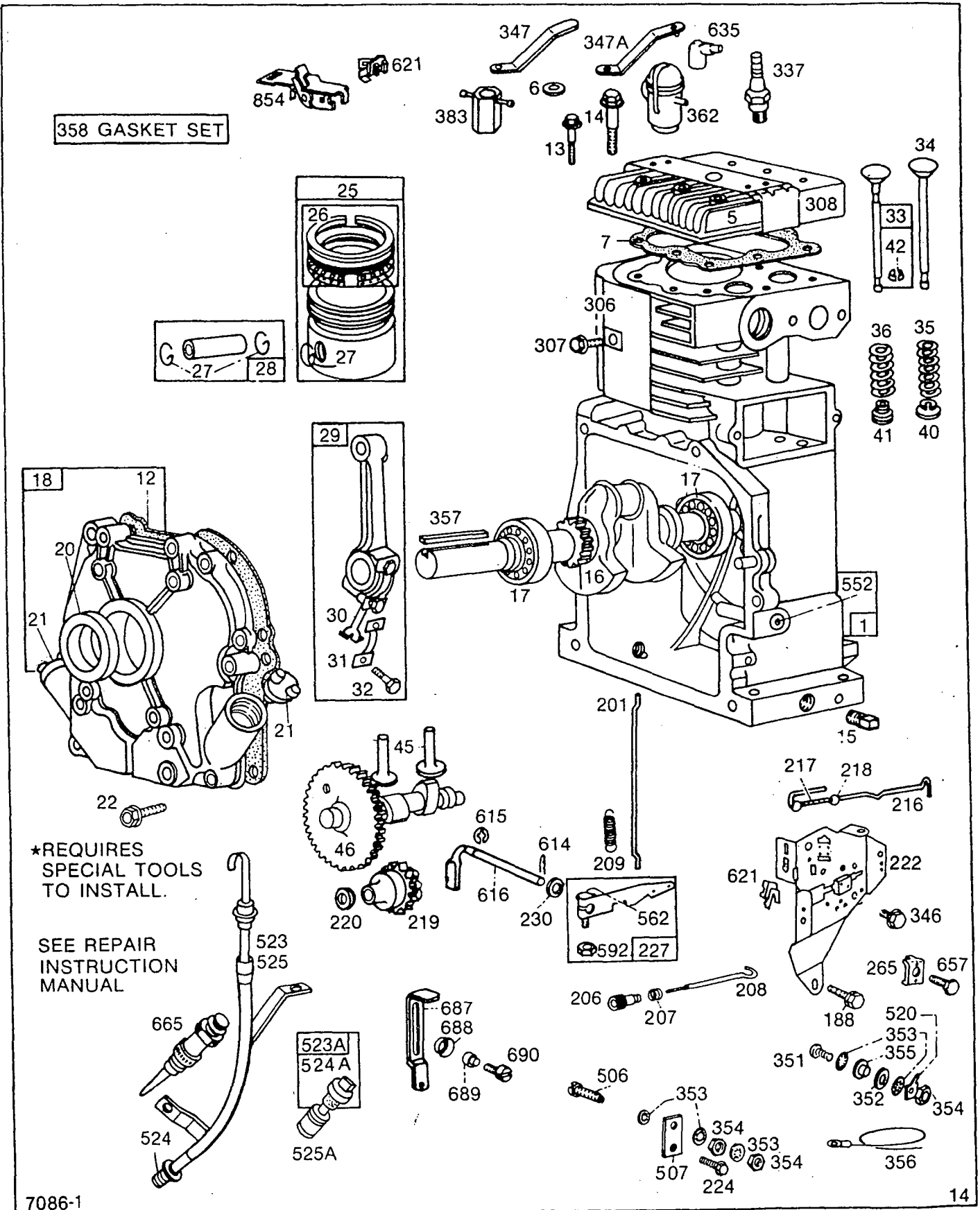
- A. Refer to Engine Model, Type and Code Number that is stamped on the blower housing of engine. Engine type numbers such as 012301 are listed herein only as 0123. The two digits (01 or 02, etc.) to the right of the space may be needed for parts identification. Then use the Illustrated Parts List covering the Model Series.
- B. Refer to Illustrated Parts section and compare the old part with illustration. The number on the illustration is the Reference Number. Assemblies include all parts shown in frames. All parts shown in assembly frames on which individual reference numbers are given can be purchased separately.
- C. After the Reference Number has been identified, refer to the Numerical Parts List, where Reference and Master Part Number are listed. **THE MASTER PART IS USED ON ALL TYPE NUMBERS EXCEPT THOSE TYPE NUMBERS UNDER "NOTE".**
- D. If a "Note" appears below the Master Part Number, this means that this part differs from the Master Part for certain types. If the Type Number is listed under "Note", order the part referred to.
- E. If the Engine Type Number does not appear after any part number listed under "Note", use the Master Part Number.
- F. For Type Numbers higher than those covered by this book, please refer to the factory if you are unable to identify the part by comparison.

PRINTED IN U.S.A.

COPYRIGHT ©



# 195400 to 195499

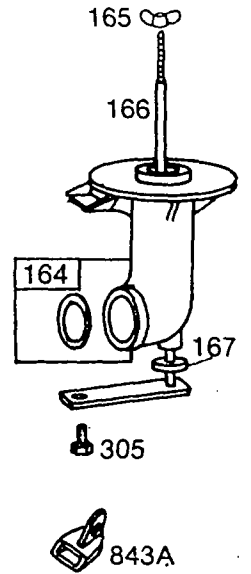
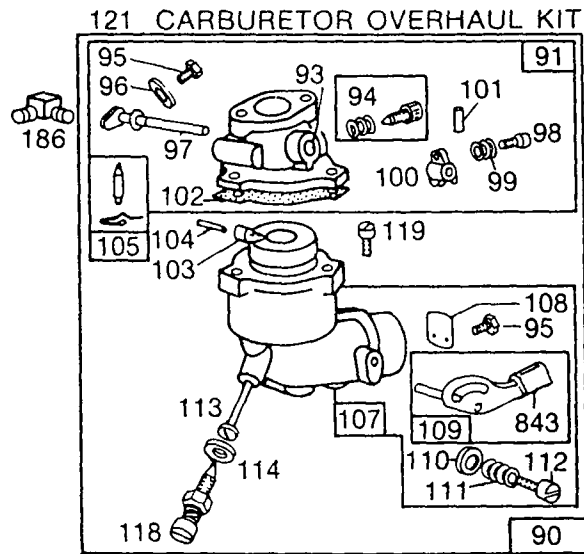
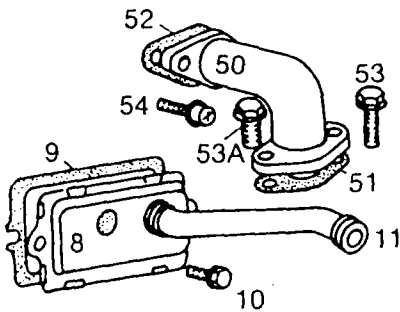
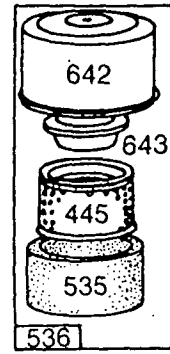
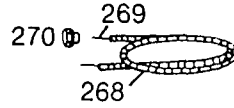
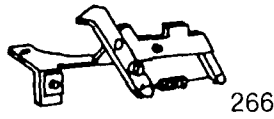
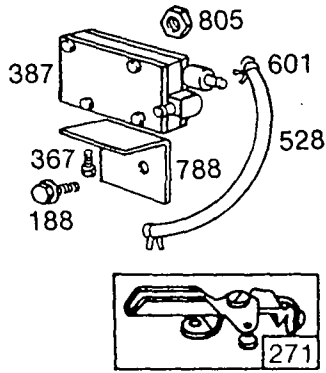


\*REQUIRES SPECIAL TOOLS TO INSTALL.

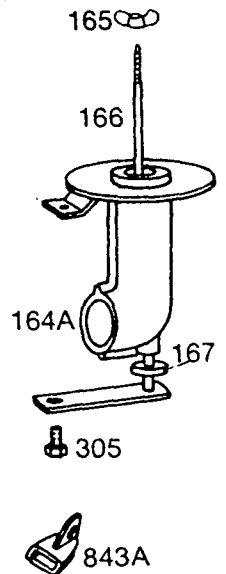
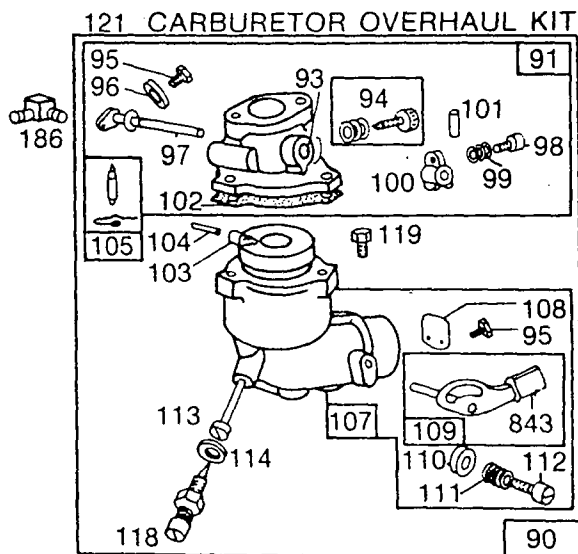
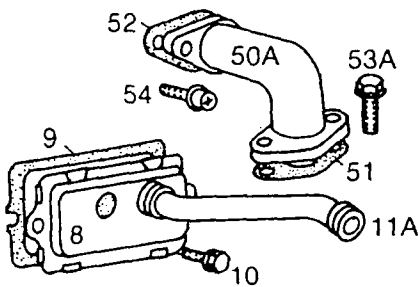
SEE REPAIR INSTRUCTION MANUAL

7086-1

Assemblies include all parts shown in frames.



NON-METAL AIR CLEANER PIPE GROUP

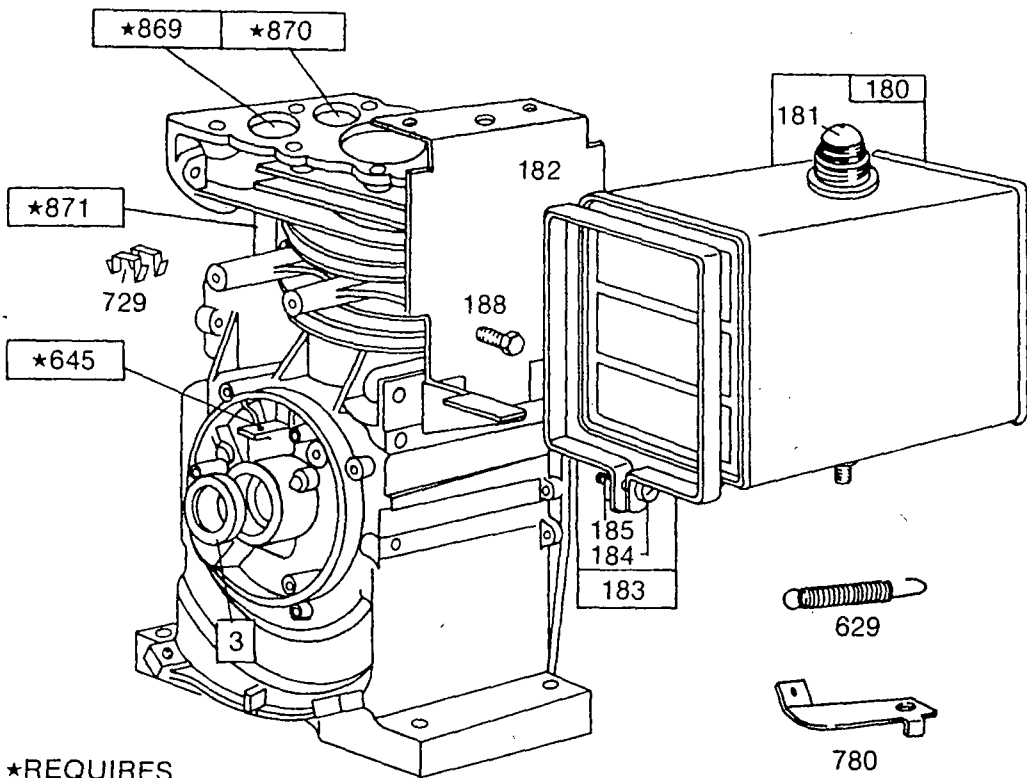


METAL AIR CLEANER PIPE GROUP  
7086-2

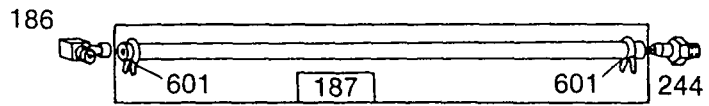
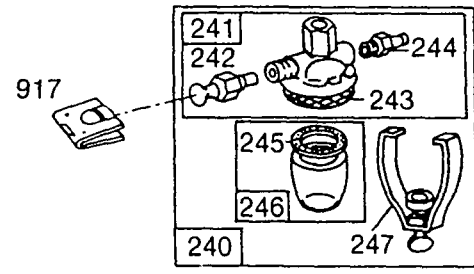
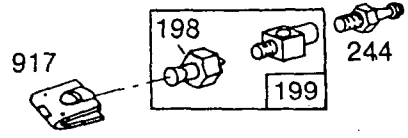
158  
159

Assemblies include all parts shown in frames.

# 195400 to 195499



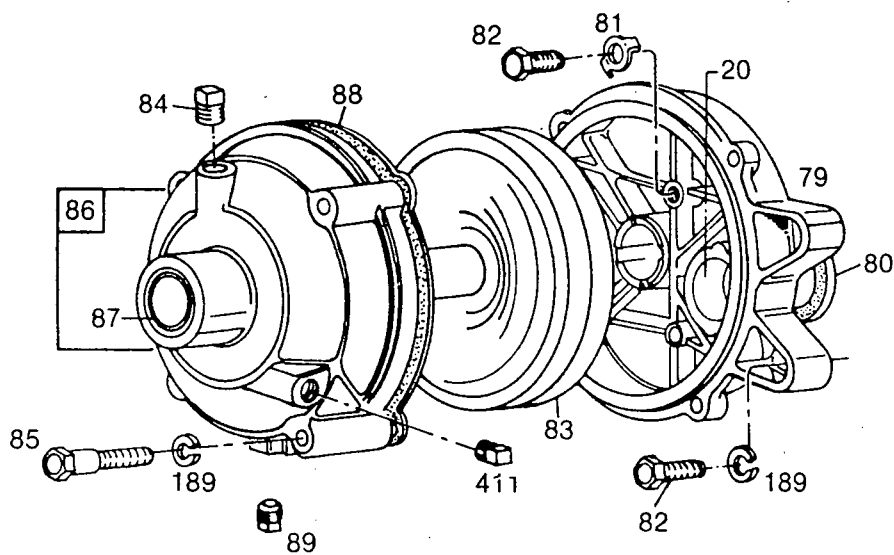
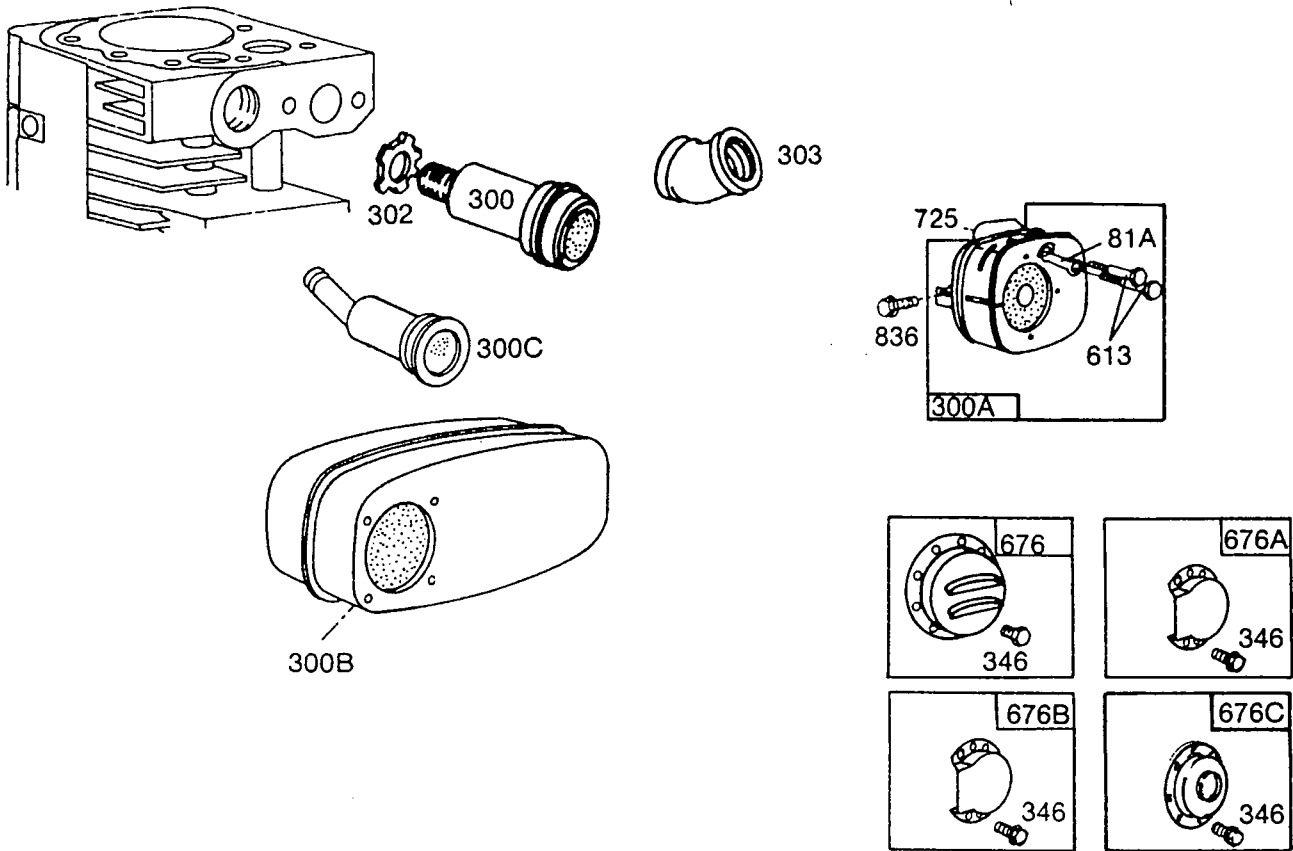
**\*REQUIRES  
SPECIAL TOOLS  
TO INSTALL.  
SEE REPAIR  
INSTRUCTION  
MANUAL.**



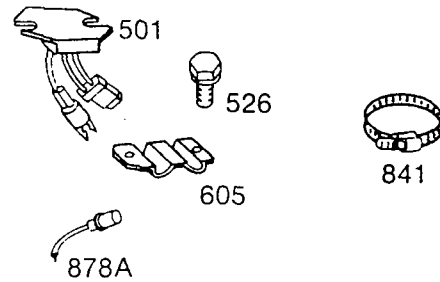
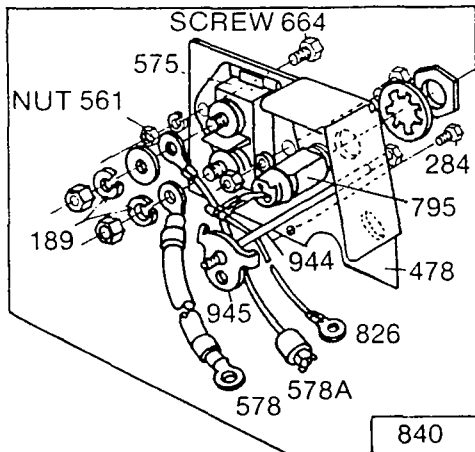
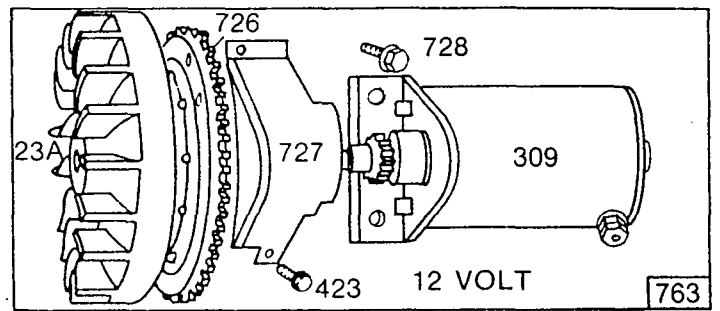
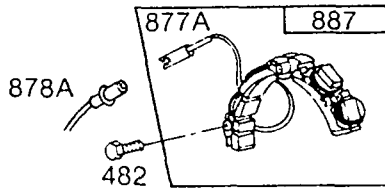
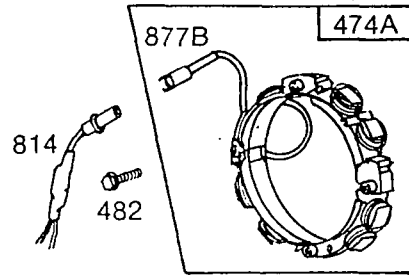
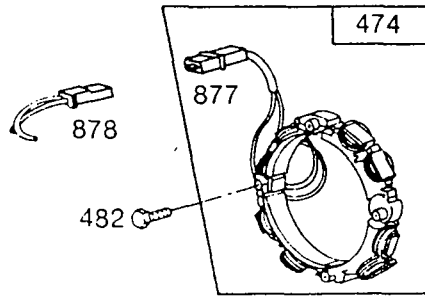
Assemblies include all parts shown in frames.



# 195400 to 195499



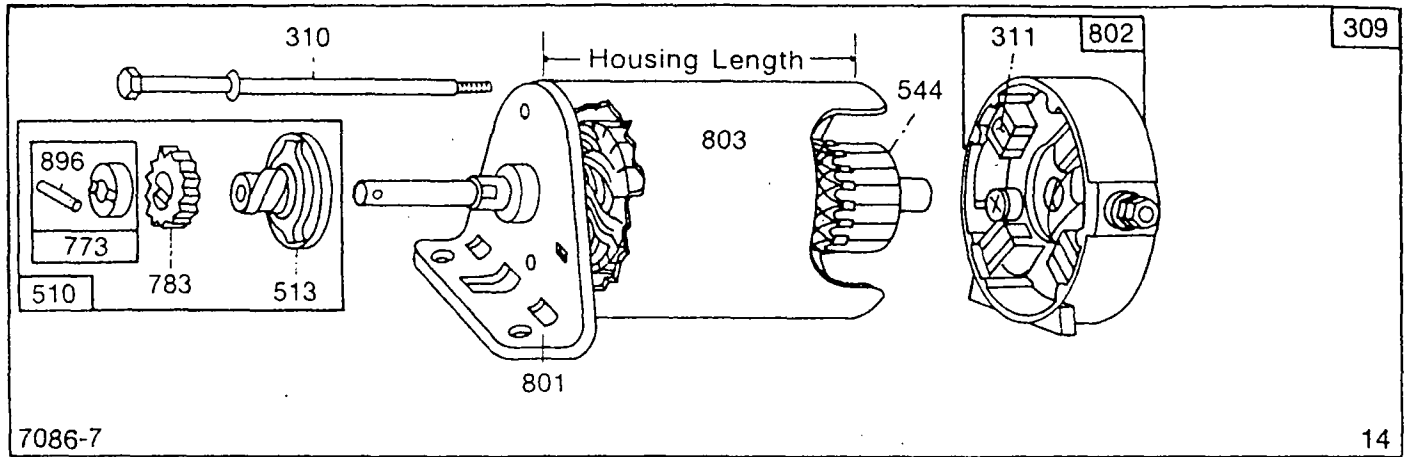
Assemblies include all parts shown in frames.



7086-6

Assemblies include all parts shown in frames.

# 195400 to 195499



Assemblies include all parts shown in frames.

Subject		Ref. No. 309	Ref. No. 510	Ref. No. 801	Ref. No. 544	Ref. No. 803	Ref. No. 802	Ref. No. 311	Ref. No. 310
Starter Motor Mfr. and Motor Model Number		Motor and Drive Assy.	Drive Assembly	End Cap Assy. Drive	Armature Assembly	Housing Assembly	End Cap Assy. Commutator*	Brush Assembly	Thru Bolt Assembly
Briggs & Stratton	Housing Length								
†12V	3-1/16"	392749	391461**	392061	392747	392744	390846	391705	391706
12V	3-21/32"	394805	391461**	394856	392747	393825	395537	395538	94003

\*Includes Brush Set

\*\*Includes #391135 Clutch Assembly (Ref. No. 513)  
 #280104 Gear (Ref. No. 783)  
 #391462 Retainer and Pin (Ref. No. 773)  
 # 93754 Roll Pin (Ref. No. 896)

NOTE: **Style Identification** of 12 Volt Motors. New Style: Thru Bolt Heads are Located on the Brush End Head Side.  
 †Old Style: Brush End Head is 13/16" Wide.



# 195400 to 195499

REF. NO.	PART NO.	DESCRIPTION	REF. NO.	PART NO.	DESCRIPTION	REF. NO.	PART NO.	DESCRIPTION
1	393886	Cylinder Assembly	16	393743	Crankshaft			394392 Crankshaft
3	294606	Seal—Oil		<b>Note:</b>	393597 Crankshaft			Used on Type Nos.
5	212286	Head—Cylinder			(5/8" long Thread)			0179, 0184, 0240,
6	22963	Washer			For 1" long Thread			0243.
7	*270430	Gasket—Cylinder Hd.			Order No. 394008.			394741 Crankshaft
8	390321	Breather Assembly			Used on Type Nos.			Used on Type Nos.
	<b>Note:</b>	294988 Breather			0112, 2037.			0200, 0208, 0209,
		Assembly			393746 Crankshaft			0257, 0263, 0266,
		Used on Type Nos.			Used on Type Nos.			0275, 0285, 0309.
		0165, 0208, 0215,			0113, 0130, 0133,	17	29530	Bearing—Ball
		0217.			0134, 0135, 0136,	18	299178	Cover Assembly—
9	*27803	Gasket—Valve Cover			0145, 0146, 0151,			Crankcase
10	93394	Screw—Sem			0154, 0156, 0158,			Used on <i>Model Series</i>
11	280267	Tube—Breather			0166, 0168, 0169,			195431, 195432,
		(Used with Nylon			0170, 0171, 0176,			195436, 195437,
		Air Cleaner Pipe)			0181, 0185, 0192,			except as listed
11A	67068	Tube—Breather			0193, 0194, 0196,			under note.
		(Used with Metal			0197, 0207, 0208,			<b>Note:</b> 390000 Cover Assy.—
		Air Cleaner Pipe)			0211, 0213, 0214,			Crankcase
	<b>Note:</b>	390769 Tube—Breather			0215, 0217, 0218,			Used on Type Nos.
		Used on Type No.			0219, 0226, 0229,			0138, 0179, 0184,
		0165.			0233, 0242, 0246,			0204, 0244, 0255,
12	*27750	Gasket—Crankcase			0247, 0248, 0250,			0256, 0265, 0277,
		Cover—1/64" thick			0253, 0261, 0264,			0284, 0296, 0255,
	*27876	Gasket—Crankcase			0265, 0279, 0281,			2034, 2035, 2036,
		Cover—.005" thick			0283, 0284, 0290,			2037, 2041, 2070.
	*27877	Gasket—Crankcase			0293, 0294, 0299,			299175 Cover Assy.—
		Cover—.009" thick			0306, 0307, 2070.			Crankcase
13	93211	Screw—Cylinder Head			393945 Crankshaft			Used on <i>Model Series</i>
		(2-21/32" long)			Used on Type Nos.			195412, 195452,
	<b>Note:</b>	93776 Stud—Cylinder			0149, 0150, 0291,			195457.
		Head			0292.			394076 Cover Assy.—
		22963 Washer			394008 Crankshaft			Crankcase
		Used on Type Nos.			(1" long Thread)			Used on Type Nos.
		0131, 0133, 0151,			Used on Type Nos.			0149, 0150, 0291,
		0154, 0166, 0200,			0132, 0160, 0167,			0292.
		0201, 0208, 0212,			0175, 0182, 0188,	20	391086	Seal—Oil
		0215, 0217, 0257,			0205, 0224, 0228,	21	66768	Plug—Oil Filler
		0260, 0276, 0286,			0304, 2047.	22	93585	Screw—Crankcase
		0297, 0302.			394244 Crankshaft			Cover Mounting Sem
14	93723	Screw—Cylinder Head			Used on Type Nos.			<b>Note:</b> 93685 Screw—
		(3" long) (1)			0114, 0163, 0173,			Crankcase Venting
	<b>Note:</b>	93781 Stud—Cylinder			0180, 0186, 0189,			(One at Top)
		Head			0191, 0195, 0202,			230998 Connector—
		Used on Type Nos.			0220, 0225, 0231,			Vent Pipe
		0200, 0260.			0236, 0239, 0262,			Used on Type Nos.
15	91084	Plug—Oil Drain			0269, 0274, 0308,			0165, 0208, 0214,
	<b>Note:</b>	93418 Plug—Oil Drain			0312, 0314, 2024,			0215, 0217.
		Used on Type Nos.			2048, 2049.			23
		0179, 0184, 0305.			394359 Crankshaft	23A	298260	Flywheel—Magneto
					Used on Type Nos.		391983	Flywheel and Ring
					0203, 0241, 0287,			Gear Assy.—Magneto
					2036.			For use on engines
								<i>WITH ALTERNATOR</i>
								(Includes aluminum
								ring gear.) For use
								only with starter
								motors with Plastic
								Drive Gear.

\*Included in Gasket Set—  
Part No. 299577.

# 195400 to 195499

REF. NO.	PART NO.	DESCRIPTION	REF. NO.	PART NO.	DESCRIPTION	REF. NO.	PART NO.	DESCRIPTION
	<b>Note:</b>	<b>392028</b> Flywheel—Magneto For Use on Engines <i>WITH ALTERNATOR</i> Machined to Accept Aluminum Ring Gear (Not Included) Used on Type Nos. 0232, 0269, 0302. <b>392034</b> Flywheel and Ring Gear Assy.—Magneto For use only on electric starter engines <i>WITHOUT ALTERNATOR</i> (Includes aluminum ring gear.) For use only with starter motors with Plastic Drive Gear.	<b>29</b>	<b>390401</b>	Rod Assembly—Connecting <b>Note:</b> For Connecting Rod with .020" Undersize Crankpin Bore—Order No. 390773.	<b>42</b>	<b>93630</b>	Retainer—Exhaust Valve Rotocoil (2)
<b>24</b>	<b>222698</b>	Key—Flywheel (For MAGNETRON® Ignition) <b>Note:</b> <b>61760</b> Key—Flywheel (For Breaker Ignition System)	<b>30</b>	<b>222113</b>	Dipper—Connecting Rod	<b>45</b>	<b>260933</b>	Tappet—Valve
<b>25</b>	<b>393868</b>	Piston Assembly—Standard	<b>31</b>	<b>222114</b>	Lock—Connecting Rod Screw	<b>46</b>	<b>211689</b>	Gear—Cam
	<b>393869</b>	Piston Assembly—.010" O.S.	<b>32</b>	<b>92659</b>	Screw—Connecting Rod	<b>50</b>	<b>212488</b>	Elbow—Intake
	<b>393879</b>	Piston Assembly—.020" O.S.	<b>33</b>	<b>390420</b>	Valve—Exhaust <b>Note:</b> <b>390419</b> Valve—Exhaust Used on Type Nos. 0140, 0141, 0142, 0143, 0148, 0153, 0156, 0173, 0187, 0195, 0202, 0221, 0238, 0252, 0259, 0261, 0262, 0268, 0271, 0294.	<b>50A</b>	<b>211812</b>	Elbow—Intake
	<b>393880</b>	Piston Assembly—.030" O.S.	<b>34</b>	<b>261055</b>	Valve—Intake	<b>51</b>	<b>*270684</b>	Gasket—Carb. Mtg.
<b>MODEL 195400 SERIES PISTON RING SETS:</b>			<b>35</b>	<b>65906</b>	Spring—Intake Valve	<b>52</b>	<b>*27828</b>	Gasket—Intake Elbow Mounting
	<b>Note:</b>	For Chrome Ring Set—Standard Size—Order No. 299743.	<b>36</b>	<b>26828</b>	Spring—Exhaust Valve	<b>53</b>	<b>93956</b>	Screw—Shoulder
<b>26</b>	<b>393881</b>	Ring Set—Piston—Standard	<b>37</b>	<b>222475</b>	Guard—Flywheel <b>Note:</b> <b>222402</b> Guard—Flywheel Used on Type Nos. 0189, 0232, 0256, 0269, 0276, 0296, 0302.	<b>53A</b>	<b>93357</b>	Screw—Carburetor Mounting Sem
	<b>393882</b>	Ring Set—Piston—.010" O.S.	<b>38</b>	<b>93777</b>	Screw—Sem <b>Note:</b> <b>93535</b> Screw—Sem (2) <b>22963</b> Washer (6) Used to Mount Flywheel Guard Used on Type Nos. 0189, 0232, 0256, 0269, 0276, 0296, 0302.	<b>54</b>	<b>93208</b>	Screw—Intake Elbow Mounting Sem
	<b>393883</b>	Ring Set—Piston—.020" O.S.	<b>40</b>	<b>221596</b>	Retainer—Intake Valve <b>Note:</b> <b>68293</b> Retainer Intake Valve Used on Type Nos. 0186, 0265.	<b>55</b>	<b>393576</b>	Housing—Rewind Starter
	<b>393884</b>	Ring Set—Piston—.030" O.S.	<b>41</b>	<b>292260</b>	Rotocoil—Exhaust Valve <b>Note:</b> <b>68293</b> Retainer—Exhaust Valve Used on Type Nos. 0283, 0284.	<b>56</b>	<b>295871</b>	Pulley—Rewind Starter <b>Note:</b> Includes 63" rope; if longer rope is required, order rope No. <b>66894</b> and cut to required length.
<b>27</b>	<b>68546</b>	Lock—Piston Pin				<b>57</b>	<b>294303</b>	Spring—Rewind Starter
<b>28</b>	<b>295840</b>	Pin Assembly—Piston—Standard				<b>58</b>	<b>66884</b>	Rope—Rewind Starter—63" long For use with Plastic Pulley; if longer rope is needed, order No. <b>66894</b> and cut to required length.
	<b>295841</b>	Pin Assembly—Piston—.005" O.S.				<b>59</b>	<b>230228</b>	Pin—Starter Grip
						<b>60</b>	<b>66728</b>	Grip—Starter Rope
						<b>63</b>	<b>260414</b>	Spring—Ratchet
						<b>64</b>	<b>230543</b>	Adapter—Ratchet Spring
						<b>65</b>	<b>93067</b>	Screw—Rewind Starter Housing Mtg. Sem
						<b>65A</b>	<b>94057</b>	Screw—Guard Retaining
						<b>66</b>	<b>298798</b>	Clutch Assy.—Rewind Starter
						<b>66A</b>	<b>393117</b>	Clutch Assy.—Rewind Starter For Engines with Ring Gear on Flywheel equipped for or with Electric Motor.
						<b>67</b>	<b>212132</b>	Housing—Rewind Starter Clutch
						<b>67A</b>	<b>261453</b>	Housing—Rewind Starter Clutch For Engines with Ring Gear on Flywheel equipped for or with Electric Motor.

\*Included in Gasket Set—Part No. 299577.

# 195400 to 195499

REF. NO.	PART NO.	DESCRIPTION	REF. NO.	PART NO.	DESCRIPTION	REF. NO.	PART NO.	DESCRIPTION
68	63770	Ball—Clutch	93	23108	Bushing—Throttle Shaft			<b>396700</b> Shaft and Lever—Choke
69	66718	Washer—Starter Clutch, Thrust	94	†292681	Valve Assembly—Carburetor Idle			Used after Code Date 83121500.
70	298799	Ratchet—Rewind Starter Clutch	95	93499	Screw—Throttle and Choke Valve Mtg. Sem			<b>394509</b> Shaft and Lever—Choke
71	221653	Washer—Retainer	96	62940	Valve—Throttle			Used before Code Date 83121600.
73	221796	Screen—Rewind Starter	97	298826	Shaft and Lever—Throttle			Used on Type Nos. 0198, 0272, 0278, 0286.
74	93042	Screw—Sem	98	91920	Screw—Machine, Fil. Hd.—8-32 x 5/8"			
75	220865	Washer—Spring	99	26157	Spring—Throttle Adjustment	110	62899	Washer—Choke Lever
76	68238	Washer—Ratchet Sealing	100	61967	Stop—Throttle	111	26155	Spring—Choke Lever
78	93805	Screw—Sem	101	93043	Pin—Throttle Stop	112	23123	Screw—Choke Lever
79	296179	Case Assembly—Gear	102	†27918	Gasket—Carburetor Body	113	†395207	Nozzle—Carburetor
80	27884	Gasket—Gear Case to Crankcase Cover	103	99333	Float—Carburetor	114	†68667	Gasket—Nozzle
81	220234	Lock—Gear Case Mounting Screw	104	†230896	Pin—Float Hinge	118	†99525	Valve—Needle
81A	222263	Lock—Muffler Mtg. Screw	105	394681	Valve—Fuel Inlet	119	93496	Screw—Sem
82	92502	Screw—Cap		<b>Note:</b>	Order No. <b>394683</b> for Fuel Pump Application.	121	394693	Carburetor Overhaul Kit
83	296052	Shaft Assembly—Drive	107	299170	Body Assembly—Lower Carburetor (Use <b>390403</b> Lower Carburetor Body Assembly on Engines Before Code No. 82030500.)			(Used after Code No. 81032700)
84	92617	Plug—Breather		<b>Note:</b>	<b>390425</b> Body Assy.—Lower Carburetor Used on Type No. 0165.			<b>Note:</b> <b>295938</b> Carb. Overhaul Kit
85	91386	Screw—Gear Case Cover Mounting			<b>397680</b> Body Assy.—Lower Carburetor Used on Type Nos. 0198, 0272, 0278, 0286.			(Used before Code No. 81033000)
86	296053	Cover Assembly—Gear Case	108	221835	Valve—Choke (Used after Code Date 82030600)	164	394520	Pipe Assy.—Air Cleaner
87	391086	Seal—Oil		<b>Note:</b>	<b>62872</b> Choke Valve (Used before Code No. 82030500)			<b>Uses:</b>
88	27328	Gasket—Gear Case Cover	109	391987	Shaft and Lever—Choke			<b>271265</b>
89	91488	Plug—Oil Drain		<b>Note:</b>	<b>299452</b> Shaft and Lever—Choke Used on Type No. 0165.			O-Ring Seal
90	390323	Carburetor Assembly (Manual Choke)				164A	391628	Pipe Assy.—Air Cleaner
	<b>Note:</b>	<b>390878</b> Carburetor Assembly Used on Type No. 0165.						<b>Note:</b> <b>394089</b> Pipe Assy.—Air Cleaner
		<b>390843</b> Carburetor Assembly Used on Type Nos. 0208, 0215.						Used on Type Nos. 0149, 0150.
		<b>397482</b> Carburetor Assembly Used on Type Nos. 0198, 0272, 0278, 0286.				165	93453	Nut—Wing
91	390404	Body Assembly—Upper Carburetor				166	392105	Stud—Air Cleaner
	<b>Note:</b>	<b>390845</b> Body Assy.—Upper Carburetor Used on Type Nos. 0165, 0208, 0215.				167	65978	Seal—Air Cleaner Stud
						180	290816	Tank Assembly—Fuel (4 quart)
								<b>Note:</b> <b>291488</b> Tank Assy.—Fuel (6 quart)
								Used on Type Nos. 0130, 0133, 0136, 0141, 0149, 0150, 0151, 0159, 0171, 0173, 0174, 0179, 0184, 0189, 0201, 0206, 0227, 0230, 2025, 2035, 2036, 2037, 2048, 2049, 2070.

†Included in Carburetor Overhaul Kit—Part No. 394693.

# 195400 to 195499

REF. NO.	PART NO.	DESCRIPTION	REF. NO.	PART NO.	DESCRIPTION	REF. NO.	PART NO.	DESCRIPTION
		394079 Tank Assy.— Fuel (6 quart) Used on Type Nos. 0149, 0150, 0291, 0292.	201	260872	Link—Governor <b>Note:</b> 260478 Spring— Governor Link Used on Type Nos. 0130, 0133, 0134, 0135, 0136, 0145, 0146, 0151, 0154, 0156, 0158, 0166, 0168, 0169, 0170, 0171, 0176, 0179, 0181, 0184, 0185, 0192, 0193, 0194, 0196, 0197, 0207, 0208, 0211, 0213, 0214, 0215, 0217, 0218, 0219, 0226, 0229, 0233, 0242, 0245, 0247, 0248, 0250, 0254, 0261, 0264, 0265, 0279, 0281, 0283, 0284, 0290, 0293, 0294, 0299, 0307, 2070.			0241, 0243, 0251, 0252, 0253, 0257, 0259, 0260, 0262, 0263, 0266, 0268, 0269, 0271, 0272, 0273, 0278, 0280, 0282, 0285, 0286, 0288, 0300, 0301, 0304, 0316. 261194 Spring—Gov. Used on Type Nos. 0142, 0143, 0149, 0150, 0153, 0156, 0180, 0187, 0202, 0258, 0287, 0303, 0311. 261306 Spring—Gov. Used on Type Nos. 0291, 0292. 261949 Spring—Gov. Used on Type Nos. 0146, 0166.
181	392301	Cap—Fuel Tank				216	262026	Link—Choke Used after Code Date 83121500. <b>Note:</b> 261122 Link—Choke Used before Code Date 83121600.
182	222758	Bracket—Fuel Tank <b>Note:</b> 222829 Bracket—Fuel Tank (6 quart) Used on Type Nos. 0130, 0133, 0136, 0141, 0149, 0150, 0151, 0159, 0171, 0173, 0174, 0179, 0184, 0189, 0201, 0206, 0227, 0230, 0291, 0292, 2025, 2035, 2036, 2037, 2048, 2049, 2070.	206	231266	Nut—Gov. Control Rod Used after Code Date 83121500. <b>Note:</b> 230149 Nut—Governor Control Rod Used before Code Date 83121600.	217	261119	Spring—Choke Link
183	291367	Strap Assembly— Fuel Tank <b>Note:</b> 291490 Strap Assy.— Fuel Tank (6 quart) Used on Type Nos. 0130, 0133, 0136, 0141, 0149, 0150, 0151, 0159, 0171, 0173, 0174, 0179, 0184, 0189, 0201, 0206, 0227, 0230, 0291, 0292, 2025, 2035, 2036, 2037, 2048, 2049, 2070.	207	26855	Spring—Gov. Control Rod	218	222352	Washer—Choke Link
184	91257	Screw—Machine, Fil. Hd.—1/4-20 x 1-1/2"	208	261959	Rod—Governor Control Used after Code Date 83121500. <b>Note:</b> 230841 Rod—Governor Control Used before Code Date 83121600.	219	391737	Gear—Governor
185	90970	Nut—Square—1/4-20				220	221551	Washer—Thrust
186	67218	Connector—Fuel Pipe				222	396232	Plate—Gov. Control Used after Code Date 83121500. 390670 Plate— Governor Control Used before Code Date 83121600. <b>Note:</b> 396233 Plate— Governor Control Used after Code Date 83121500. 390670 Plate— Governor Control Used before Code Date 83121600. Used on Type Nos. 0198, 0272, 0278, 0286.
187	296004	Pipe—Fuel (Flexible) 23" long <b>Note:</b> 299146 Pipe—Fuel (Flexible) 28" long	209	260695	Spring—Governor <b>Note:</b> 261126 Spring—Gov. Used on Type Nos. 0131, 0132, 0139, 0140, 0141, 0144, 0157, 0159, 0161, 0162, 0163, 0164, 0165, 0167, 0174, 0177, 0178, 0182, 0183, 0186, 0189, 0195, 0206, 0209, 0212, 0216, 0221, 0227, 0230, 0231, 0232, 0235, 0240,			
188	93535	Screw—Sem				224	93067	Screw—Sem
189	90366	Lockwasher 5/16" x 18 x 1/16"				227	391965	Lever Assembly— Governor
198	293934	Valve—Fuel Shut-Off						
199	297563	Outlet—Fuel Tank						
200	221760	Guide—Air						

\*Included in Gasket Set—  
Part No. 299577.

# 195400 to 195499

REF. NO.	PART NO.	DESCRIPTION	REF. NO.	PART NO.	DESCRIPTION	REF. NO.	PART NO.	DESCRIPTION
230	222450	Washer—Governor Crank	300A	391313	Muffler—Exhaust	333A	298968	Armature Assembly (For Points and Condenser)
231	93064	Screw—Sem			<b>Note:</b> 391232 Guard—Muffler			
240	393169	Filter Assy.—Fuel			<b>Uses:</b>	334	93381	Screw—Armature Mounting Sem
240A	298090	Filter—Fuel (In Fuel Pipe)			93606 Screw—Guard to Muffler	337	298809	Plug—Spark (1-1/2" High—37-42 M.M.)
		<b>Note:</b> 394358 Filter—Fuel (In Fuel Pipe) Used on Engines Equipped with Impulse Pump.			222379 Retainer—Guard			<b>Note:</b> 29693 Plug—Spark (2" High—51 M.M.)
241	296005	Cover Assy.—Fuel Filter	300B	392101	Muffler—Exhaust			293918 Plug—Spark (1-1/2" High) (Resistor Type)
242	295913	Valve and Cover—Fuel Shut-Off	300C	393368	Round Lo-Tone, (20° Angular)			392588 Plug—Spark (with Gasket) (2" High Resistor Type)
243	22547	Screen—Fuel Filter	302	261409	Locknut—Muffler	340	26018	Spring—Breaker Arm
244	230318	Connector—Fuel Pipe	303	91464	Elbow—Exhaust—90° Street	341	93381	Screw—Breaker Arm Mounting Sem
245	*68477	Gasket—Fuel Filter Bowl			<b>Note:</b> 91219 Elbow—Exhaust—45° Street	342	65704	Plunger—Breaker Point
246	298683	Bowl—Fuel Filter			Used on Type Nos. 0144, 0178, 0305.	345	222117	Cover—Breaker Point
247	99665	Yoke—Fuel Filter	304	299853	Housing—Blower	346	93705	Screw—Sem
265	221535	Clamp—Casing			<b>Note:</b> 299392 Housing—Blower	347	220197	Switch—Stop
		<b>Note:</b> 220680 Washer—Flat Used between Clamp and Insulator Used on Type Nos. 0139, 0161.			Used on Type Nos. 0120, 0134, 0150, 0164, 0165, 0172, 0208, 0226, 0227, 0244, 0250, 0252, 0259, 0268, 0281, 0282, 0289, 0292, 0315, 2041, 2048.	347A	298926	Switch—Stop (For 1-1/2" High—37-42 M.M. Spark Plug)
266	291460	Control Assembly—Throttle			299860 Housing—Blower			<b>Note:</b> 293739 Switch—Stop (For 2" High—51 M.M. Spark Plug) Used on Type Nos. 0141, 0142, 0187, 0195.
268	65616	Casing—Control Wire—72" long	305	93158	Screw—Sem	351	91920	Screw—Terminal (Fill. Hd.)
		<b>Note:</b> If longer casing is required, specify length in inches; if shorter wire is needed, Order No. 65616 and cut to required length.	306	222830	Shield—Cylinder			93735 Screw—Terminal (Truss Hd.)
269	26633	Wire—Control—78" long	307	93163	Screw—Cylinder Shield Mtg. Sem	352	66068	Washer—Insulating
		<b>Note:</b> If longer wire is required, specify length in inches; if shorter wire is needed, Order No. 26633 and cut to required length.	308	222636	Cover—Cylinder Head	353	92791	Washer—Lock—Shakeproof (3)
270	63426	Locknut—Control Wire Casing	309		Motor—Starting (12 Volt)	354	90576	Nut—Hex.—8-32 (2)
271	290568	Lever Assy.—Control			<b>See Chart for Replacement Parts for Starting Motors on Page 8.</b>	355	66554	Collar—Insulating
300	393010	Muffler—Exhaust	319	395326	Armature Assembly (Less Trigger Coil)	356	299500	Wire—Ground
								<b>Note:</b> 393006 Wire—Ground Used on Type No. 0316.
			332	92284	Nut	357	91540	Key—Pulley
			333	395492	Armature Group (MAGNETRON® Ignition)	358	299577	Gasket Set

\*Included in Gasket Set—  
Part No. 299577.

# 195400 to 195499

REF. NO.	PART NO.	DESCRIPTION	REF. NO.	PART NO.	DESCRIPTION	REF. NO.	PART NO.	DESCRIPTION
362	291630	Shield—Spark Plug (with Stop Switch) <b>Note:</b> 89742 Shield— Spark Plug (with Stop Switch) Used on Type No. 0171.	482	93621	Screw—Sem	613	93704	Screw—Muffler Mtg.
363	19165	Puller—Flywheel (Optional Accessory)	500	91325	Washer—Plain	614	93306	Cotter—Hair Pin
367	93380	Screw—Sem	501	393374	Regulator—Alternator (10 Amp.)	615	93307	Retainer—E-Ring
372	220477	Clamp—Condenser	506	90200	Screw—Machine Fill. Hd. 8-32 x 1/2"	616	231057	Crank—Governor
373	92987	Nut—Hex.	507	66895	Insulator	621	297472	Switch—Stop
375	294628	Breaker Points and Condenser Set <b>Note:</b> 299061 Ignition Kit <b>Includes:</b> 294628 Point Set 65704 Plunger 61760 Key—Flywheel (For Conversion to MAGNETRON® Ignition Order Part No. 394970)	516	260374	Spring—Connector	629	261137	Spring—Throttle Return
383	89838	Spark Plug Wrench	517	295423	Pulley—Rope Starter	635	66538	Elbow—Spark Plug <b>Note:</b> 392273 Elbow—Shielding (Only Used with Spark Plug 29693) Used on Type No. 0130.
387	390765	Pump—Impulse <b>Note:</b> Order No. 394462 for Pump Repair Kit	518	69932	Rope—Starter	642	222271	Cover—Air Cleaner
411	93448	Plug—Oil Level Hole	520	93722	Terminal—Spade	643	222272	Cup—Air Cleaner
423	93984	Screw—Sem <b>Note:</b> 93410 Screw—Sem Used with Metal Starter Cover	521	298529	Shielding—Ignition Cable	645	23513	Bushing—Plunger
445	390930	Cartridge—Air Cleaner	523	390848	Cap and Dipstick— Oil Filler	655	222598	Anchor—Spring
455	222561	Cup—Screen Mounting	523A	297357	Cap—Oil Filler <b>Note:</b> 295923 Cap Assy.— Oil Filler <b>Uses:</b> 65304 Gasket 230553 Nipple—Oil Filler (5/4" Lg.)	657	93496	Screw—Sem
468	222562	Screen—Flush Rotating	524	68838	Seal—Filler Tube	664	93415	Screw—Sem
474	393474	Stator—Alternator (Dual Circuit) <b>Note:</b> 391595 Stator— Alternator (A.C.) <b>Uses:</b> 390867 Wire Assy.— Alternator Used on Type Nos. 0189, 0276, 0302. 393295 Stator— Alternator (10 Amp.) (Uses Ref. 878A)	524A	65304	Gasket—Oil Filler Cap	665	298859	Oil Minder <b>Note:</b> 298860 Oil Minder Used on Type Nos. 0192, 0211.
474A	392595	Stator—Alternator (Tri-Circuit)	525	299284	Tube—Oil Filler	676	393758	Deflector—Exhaust (Louvered) <b>Note:</b> For Spark Arrester Assy. Use No. 392194. Used on Type Nos. 0276, 0302.
478	395410	Panel—Instrument Use 222751 Starter Panel on Engines before Code No: 81102100	525A	91258	Nipple—Oil Filler (2 1/2" Lg.) <b>Note:</b> (All Nipples Listed, Use 394884 Oil Filler Pipe Adaptor) 230553 Nipple—Oil Filler (5/4" Lg.)	676A	393757	Deflector—Exhaust (Side Outlet) <b>Note:</b> For Spark Arrester Assy. Use No. 392193. Used on Type Nos. 0164, 0165, 0192, 0201, 0303-02, 2037.
			526	93343	Screw—Regulator	676B	393761	Deflector—Exhaust <b>Note:</b> For Spark Arrester Assy. Use No. 392390. Used on Type No. 0273.
			528	390674	Pipe—Vent	676C	395700	Deflector—Exhaust (Direct Outlet) <b>Note:</b> For Spark Arrester Assy. Use 392195. Used on Type Nos. 0211, 0241, 0265, 0284, 0287, 0303-01.
			535	270782	Element—Air Cleaner	682	211516	Shield—Starter Clutch
			536	391063	Cleaner Assy.—Air	687	390690	Slide—Friction Control
			552	231056	Bushing—Governor Crank			
			561	92278	Nut—Hex. (1/4-20)			
			562	92613	Bolt—Governor Lever			
			575	299139	Switch—Starting			
			578	392683	Wire—Starter Switch			
			578A	393109	Wire—Switch (Starter Switch to Alternator)			
			592	231082	Nut—Hex.—10-24			
			601	93053	Clamp—Fuel Pipe			
			605	222934	Bracket—Regulator			
			608	390391	Starter Assembly— Rewind <b>Note:</b> For Starter Assy. With Longer Than Standard Rope—Order No. 299640.			

# 195400 to 195499

REF. NO.	PART NO.	DESCRIPTION	REF. NO.	PART NO.	DESCRIPTION	REF. NO.	PART NO.	DESCRIPTION
688	221766	Cap—Friction Spring	805	231001	Locknut—Impulse Pump	861	394462	Pump Repair Kit (WALBRO)
689	260847	Spring—Friction	814	392606	Wire Assy.—Alternator	869	211661	Seat—Intake Valve (Standard)
690	92484	Screw—Machine, Fil. Hd.—10-32 x 1/2"	826	392684	Wire—Panel (Starter Switch to Ground Wire Terminal)	870	210940	Seat—Exhaust Valve (Standard)
725	221885	Shield—Heat	836	93559	Screw—Sem	871	261961	Guide—Exhaust Valve
726	392134	Gear—Ring (Aluminum—Includes Mounting Parts)		<b>Note:</b> 93587	Screw—Sem To Mount Guard, Retainer and Muffler Bracket to Head. Used on Type No. 0155.		<b>Note:</b> 231218	Guide— Exhaust or Intake Valve <b>See Repair Manual</b>
727	395405	Cover—Starter (Includes Mounting Screws)	840	395408	Panel Kit—Starter (Toggle Switch) Use 392918 Starter Panel Kit on Engines before Code No. 81102100.	877	393456	Diode and Connector Assy. (Dual Circuit)
	<b>Note:</b> 221940	Guard—Ring Gear		<b>Note:</b> 395409	Panel Kit— Starter (Key Switch) Use 392725 Starter Panel Kit on Engines before Code No. 81102100.	877A	393814	Diode and Connector Assy. (D.C.)
	221968	Guard—Upper Ring Gear				877B	393537	Connector Assembly (Tri-Circuit)
	<b>Each Guard Uses:</b>					878	393362	Alternator Harness Assy. (Dual Circuit)
	93712	Screw				878A	393422	Alternator Harness
	93713	Washer—Lock Used on Type No. 0289.				887	391529	Stator Assembly— Alternator (D.C.)
728	93535	Screw—Sem	841	393514	Clamp—Regulator	897	394970	Trigger Coil— MAGNETRON® Ignition
729	221907	Clip—Wire	843	280149	Sleeve—Choke Lever	917	223271	Valve Handle— Fuel Shut-Off
763	391604	Starter Kit—12 Volt (Gear Drive)	843A	280147	Knob—Choke Lever (For Sno-Gard Engines)	944	94003	Bolt
780	222267	Anchor—Spring <b>Uses:</b> 93496 Screw—Mounting	851	221798	Terminal—Ignition Cable	945	223159	Bracket—Instrument Panel
781	280068	Cap—Starter Pulley	854	392884	Bracket Assembly— Stop Switch	949	396581	Guard—Rewind Starter
788	222221	Bracket—Impulse Pump Mounting	856	393304	Holder Parts—Fuse			
795	392697	Switch—Ignition (Toggle) <b>Uses:</b> 93888 Nut—Hex. <b>Note:</b> 392833						
		Switch— Ignition (Key)						

